

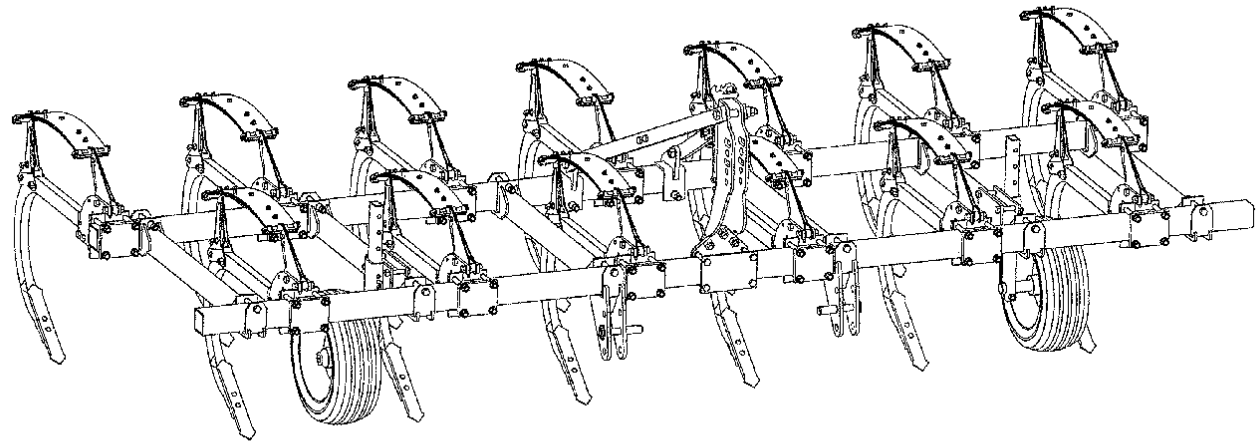
CLG II

Spare Parts Manual

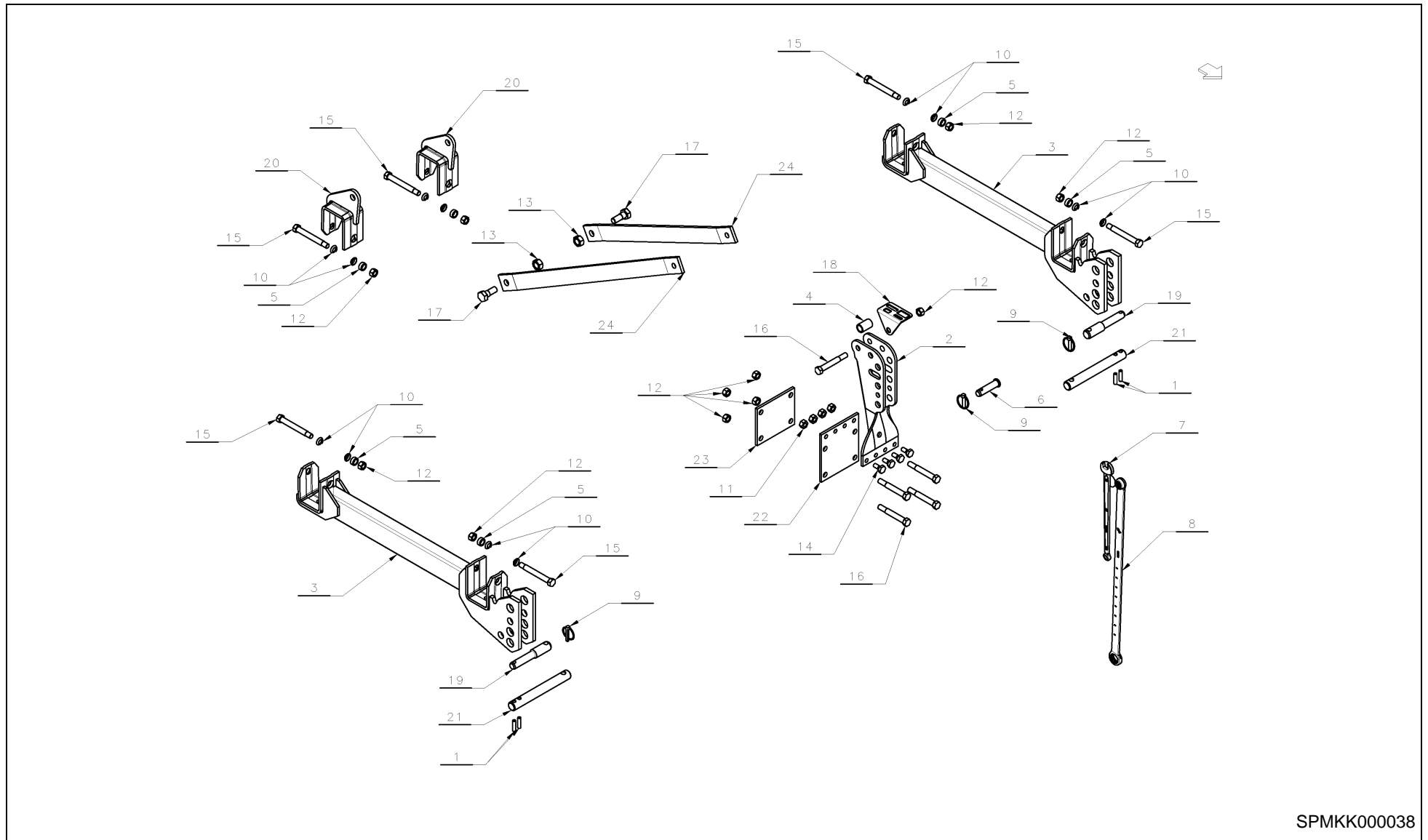
Article number: A133094940_2019
Language: EN
Production year (from): 2019
Prod. Series nr (from):
2751 < Mach. ID <=

CLG II / Table of Contents

PosNo.	Assembly group	Page
--	3-POINT LINKAGE 2 - 5 TINES	1
--	3-POINT LINKAGE 7 - 9 TINES	2
--	3-POINT LINKAGE 9 - 13 TINES	3
--	CLC 3-POINT LINKAGE	4
--	MAIN FRAME	5
--	TINE	6
--	WHEEL 200 X 14,5 FOR 7, 9, 11 & 13 TINES	7
--	WHEEL 6.00 X 9 FOR 2, 3, 5 & 7 TINES	8
--	MACHINE STAND	9



CLG II / 3-POINT LINKAGE 2 - 5 TINES



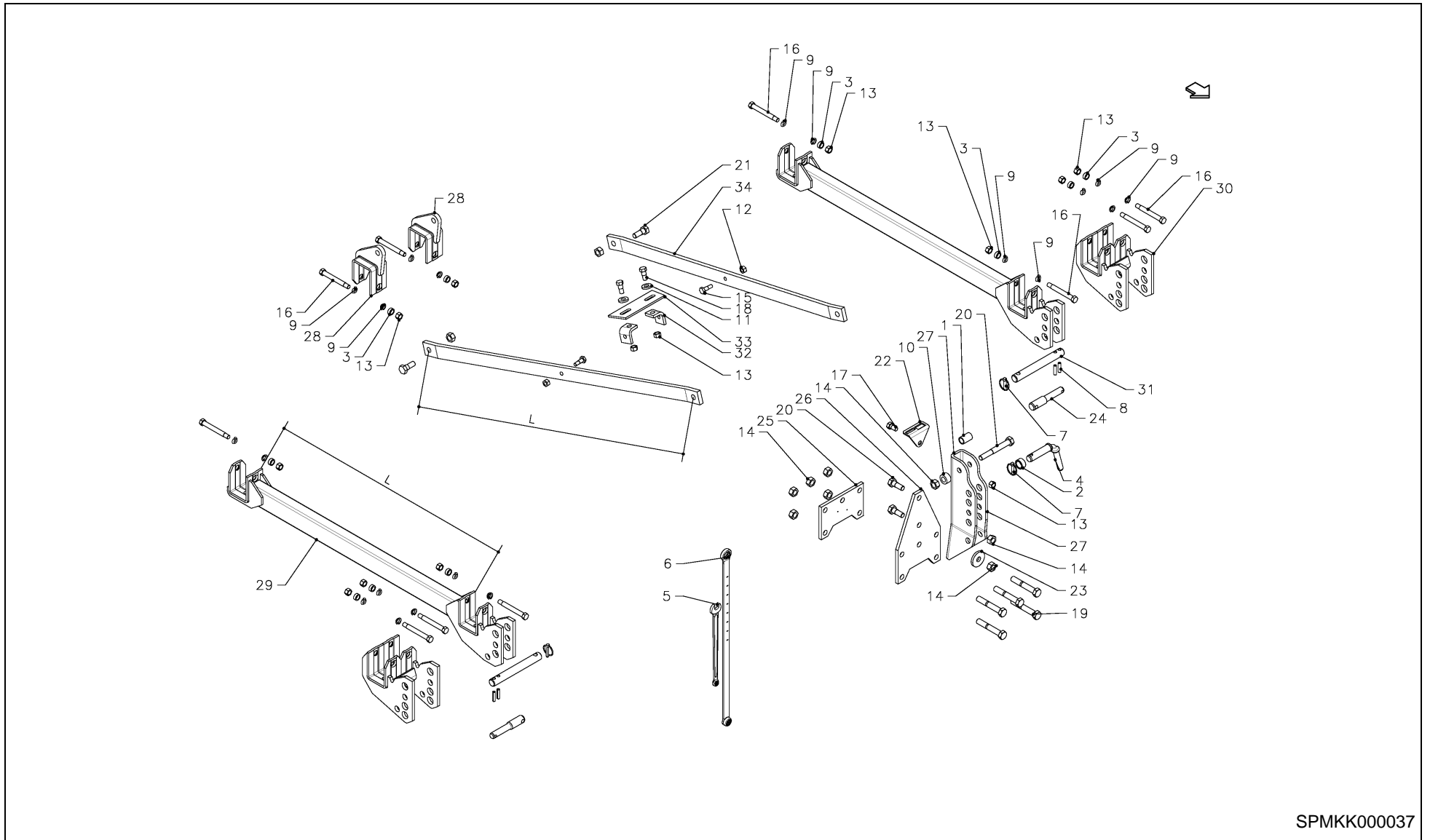
SPMKK000038

CLG II / 3-POINT LINKAGE 2 - 5 TINES



PosNo.	Part No.	Qty.	Description	Remark
1	KG01195500		TENSION PIN 12X50	
2	KK062002R		HEADSTOCK	
3	KK304106		TUBE WELDED	
4	KK010066R		BUSHING D33.8XD25.7X55	
5	KK010170		BUSHING D30 X D21	
6	KK010332		BOLT W/HEAD D25.3X85	
7	KK010606		SPANNER NV27-19 L450	
8	KK010650		UNIVERSAL SPANNER NV 27-36	
9	KK010700		PIN D12 NS 555	
10	KK012813		CONIC WASHER EXTENDED TO D20	
11	KK015825		NUT M16	
12	KK015830		NUT M20	
13	KK015841		NUT M24 GALV.	
14	KK032735		HEX BOLT M16X35 10.9	
15	KK032808		HEX BOLT M20X160 10.9 THREAD L=25	
16	KK032815		HEX BOLT M20X140 10.9	
17	KK032960		HEX BOLT M24X60 S=13+3	
18	KK089599		SPANNER BRACKET	
19	KK301082		LOCKPIN FOR CHIS	
20	KK304027		BRACKET SUPPORT WELDED	
21	KK304134		PIN D36	
22	KK304165		PLATE FOR HEADSTOCK SMALL	
23	KK304166		ORVEL FOR HEADSTOCK SMALL	
24	KK304168		STAY FOR HEADSTOCK	

CLG II / 3-POINT LINKAGE 7 - 9 TINES

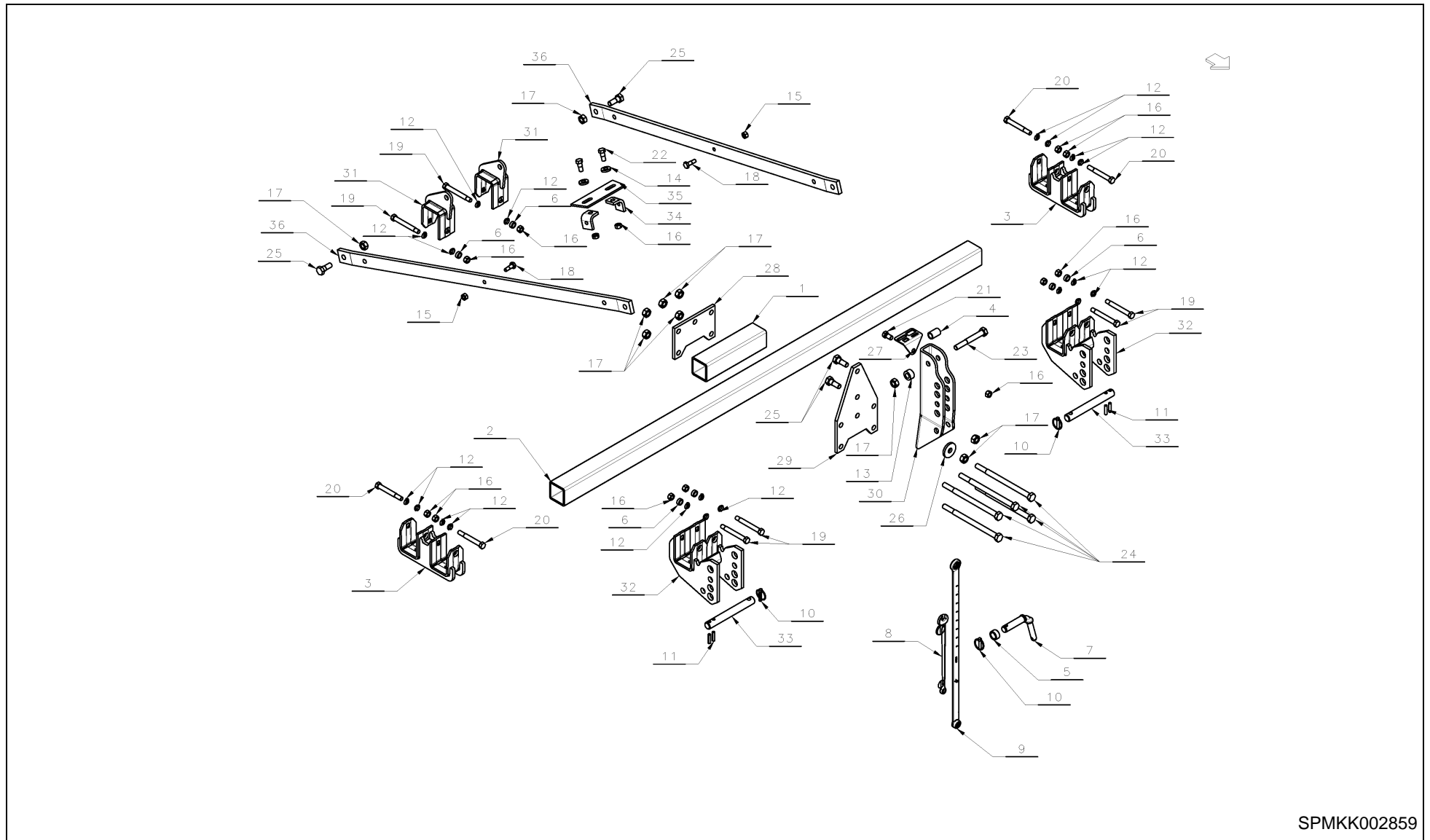


SPMKK000037

CLG II / 3-POINT LINKAGE 7 - 9 TINES

PosNo.	Part No.	Qty.	Description	Remark
1	KK010066R		BUSHING D33.8XD25.7X55	
2	KK010158		BUSHING D44.5XD32.5X23	
3	KK010170		BUSHING D30 X D21	
4	KK010293		TOP LINK U-BOLT CAT.II & III	
5	KK010606		SPANNER NV27-19 L450	
6	KK010650		UNIVERSAL SPANNER NV 27-36	
7	KK010700		PIN D12 NS 555	
8	KG01195500		TENSION PIN 12X50	
9	KK012813		CONIC WASHER EXTENDED TO D20	
10	KK012851		BUSHING D25-D45X25	
11	KK012968		WASHER D21XD45 7.5 GALV.	
12	KK015825		NUT M16	
13	KK015830		NUT M20	
14	KK015841		NUT M24 GALV.	
15	KK032750		HEX BOLT M16X50 10.9	
16	KK032808		HEX BOLT M20X160 10.9 THREAD L=25	
17	KK032835		HEX BOLT M20X35 10.9	
18	KK032845		HEX BOLT M20X45 10.9	
19	KK032908		HEX BOLT M24X150 10.9	
20	KK032918		HEX BOLT M24X180	
21	KK032960		HEX BOLT M24X60 S=13+3	
22	KK089599		SPANNER BRACKET	
23	KK077558R		WASHER D25-D76X10	
24	KK301082		LOCKPIN FOR CHIS	
25	KK304016		PLATE REAR SUPPORT	
26	KK304017		PLATE FOR HEADSTOCK	
27	KK304018		HEADSTOCK	
28	KK304027		BRACKET SUPPORT WELDED	
29	KK304033		TUBE WELDED	
30	KK304126		BRACKET FOR QUICK HITCH WELDED	
31	KK304134		PIN D36	
32	KK304135		BRACKET SUPPORT STAY FOR HEADSTOCK	
33	KK304136		PLATE SUPPORT STAY FOR HEADSTOCK	
34	KK304143		STAY FOR HEADSTOCK	

CLG II / 3-POINT LINKAGE 9 - 13 TINES

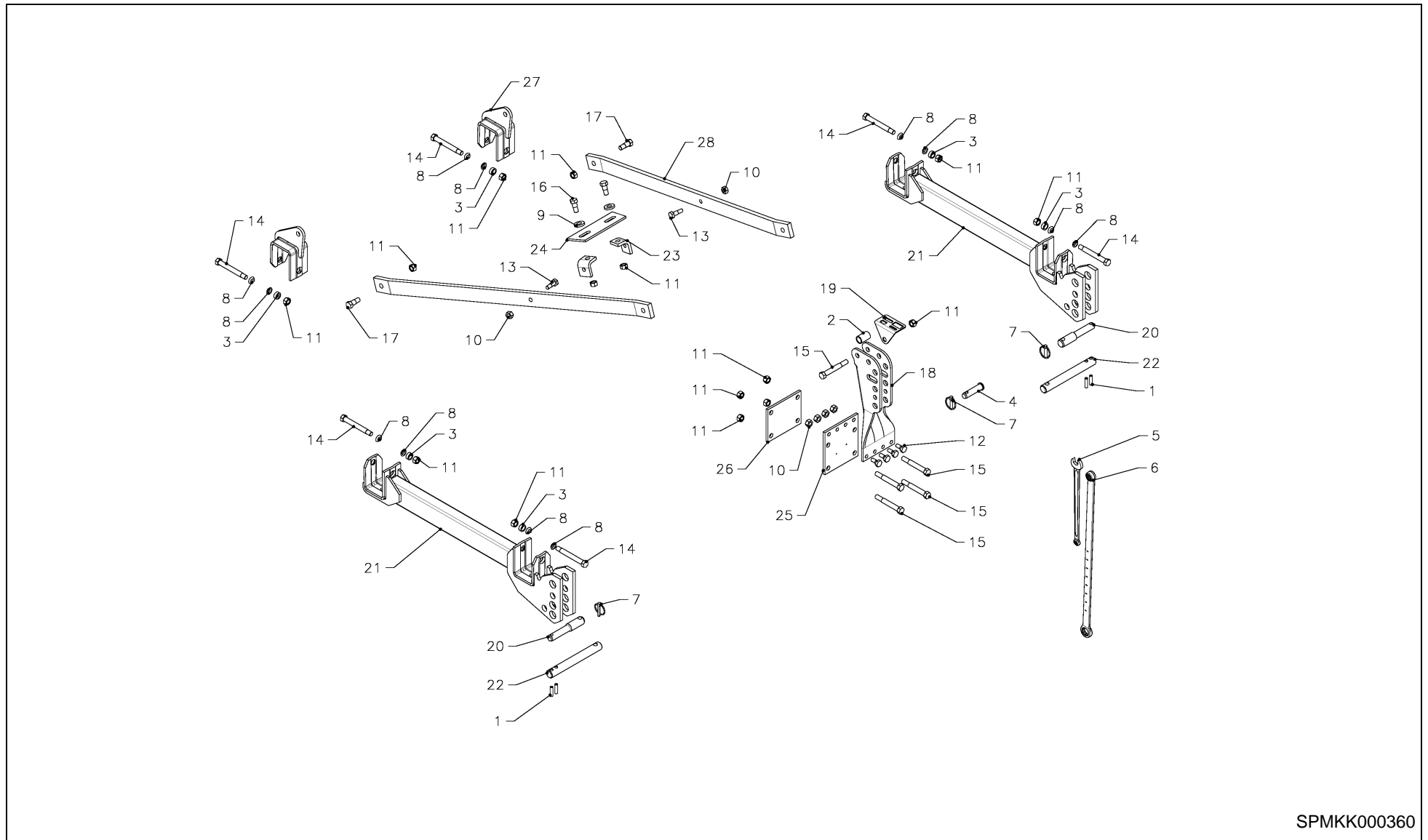


SPMKK002859

CLG II / 3-POINT LINKAGE 9 - 13 TINES

PosNo.	Part No.	Qty.	Description	Remark
1	A152352894		TUBE 100X100 FOR SUPPORT	
2	A152352994		TUBE 100X100X8 L=2800 MM	
3	KK304130		BRACKET CONNECTING MAIN TUBE AND QH	
4	KK010066R		BUSHING D33.8XD25.7X55	
5	KK010158		BUSHING D44.5XD32.5X23	
6	KK010170		BUSHING D30 X D21	
7	KK010293		TOP LINK U-BOLT CAT.II & III	
8	KK010606		SPANNER NV27-19 L450	
9	KK010650		UNIVERSAL SPANNER NV 27-36	
10	KK010700		PIN D12 NS 555	
11	KK011021		ROLL PIN D12X50 GALV.	
12	KK012813		CONIC WASHER EXTENDED TO D20	
13	KK012851		BUSHING D25-D45X25	
14	KK012968		WASHER D21XD45 7.5 GALV.	
15	KK015825		NUT M16	
16	KK015830		NUT M20	
17	KK015841		NUT M24 GALV.	
18	KK032750		HEX BOLT M16X50 10.9	
19	KK032808		HEX BOLT M20X160 10.9 THREAD L=25	
20	KK032816		HEX BOLT M20X150 10.9	
21	KK032835		HEX BOLT M20X35 10.9	
22	KK032845		HEX BOLT M20X45 10.9	
23	KK032918		HEX BOLT M24X180	
24	KK032936		SCREW M24 X360 10.9 EL	
25	KK032960		HEX BOLT M24X60 S=13+3	
26	KK077558R		WASHER D25-D76X10	
27	KK089599		SPANNER BRACKET	
28	KK304016		PLATE REAR SUPPORT	
29	KK304017		PLATE FOR HEADSTOCK	
30	KK304018		HEADSTOCK	
31	KK304027		BRACKET SUPPORT WELDED	
32	KK304126		BRACKET FOR QUICK HITCH WELDED	
33	KK304134		PIN D36	
34	KK304135		BRACKET SUPPORT STAY FOR HEADSTOCK	
35	KK304136		PLATE SUPPORT STAY FOR HEADSTOCK	
36	KK304140		STAY FOR HEADSTOCK L = 1815	

CLG II / CLC 3-POINT LINKAGE

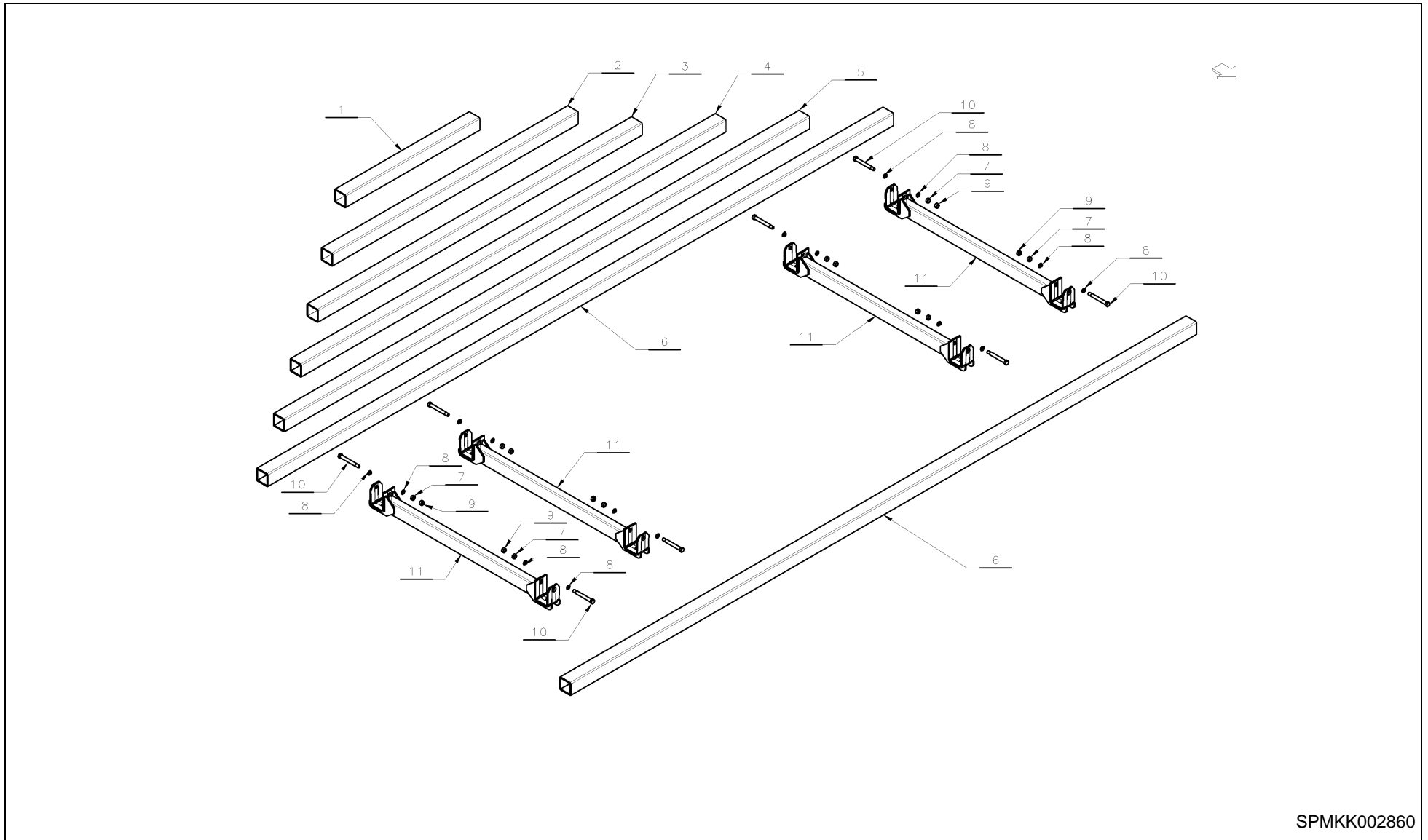


SPMKK000360

CLG II / CLC 3-POINT LINKAGE



PosNo.	Part No.	Qty.	Description	Remark
1	KG01195500		TENSION PIN 12X50	
2	KK010066R		BUSHING D33.8XD25.7X55	
3	KK010170		BUSHING D30 X D21	
4	KK010332		BOLT W/HEAD D25.3X85	
5	KK010606		SPANNER NV27-19 L450	
6	KK010650		UNIVERSAL SPANNER NV 27-36	
7	KK010700		PIN D12 NS 555	
8	KK012813		CONIC WASHER EXTENDED TO D20	
9	KK012968		WASHER D21XD45 7.5 GALV.	
10	KK015825		NUT M16	
11	KK015830		NUT M20	
12	KK032735		HEX BOLT M16X35 10.9	
13	KK032750		HEX BOLT M16X50 10.9	
14	KK032808		HEX BOLT M20X160 10.9 THREAD L=25	
15	KK032815		HEX BOLT M20X140 10.9	
16	KK032845		HEX BOLT M20X45 10.9	
17	KK032850		HEX BOLT M20X50 10.9	
18	KK062002R		HEADSTOCK	
19	KK089599		SPANNER BRACKET	
20	KK301082		LOCKPIN FOR CHIS	
21	KK304106		TUBE WELDED	
22	KK304134		PIN D36	
23	KK304135		BRACKET SUPPORT STAY FOR HEADSTOCK	
24	KK304136		PLATE SUPPORT STAY FOR HEADSTOCK	
25	KK304165		PLATE FOR HEADSTOCK SMALL	
26	KK304166		ORVEL FOR HEADSTOCK SMALL	
27	KK304179		BRACKET SUPPORT WELDED	
28	KK304200		STAY	

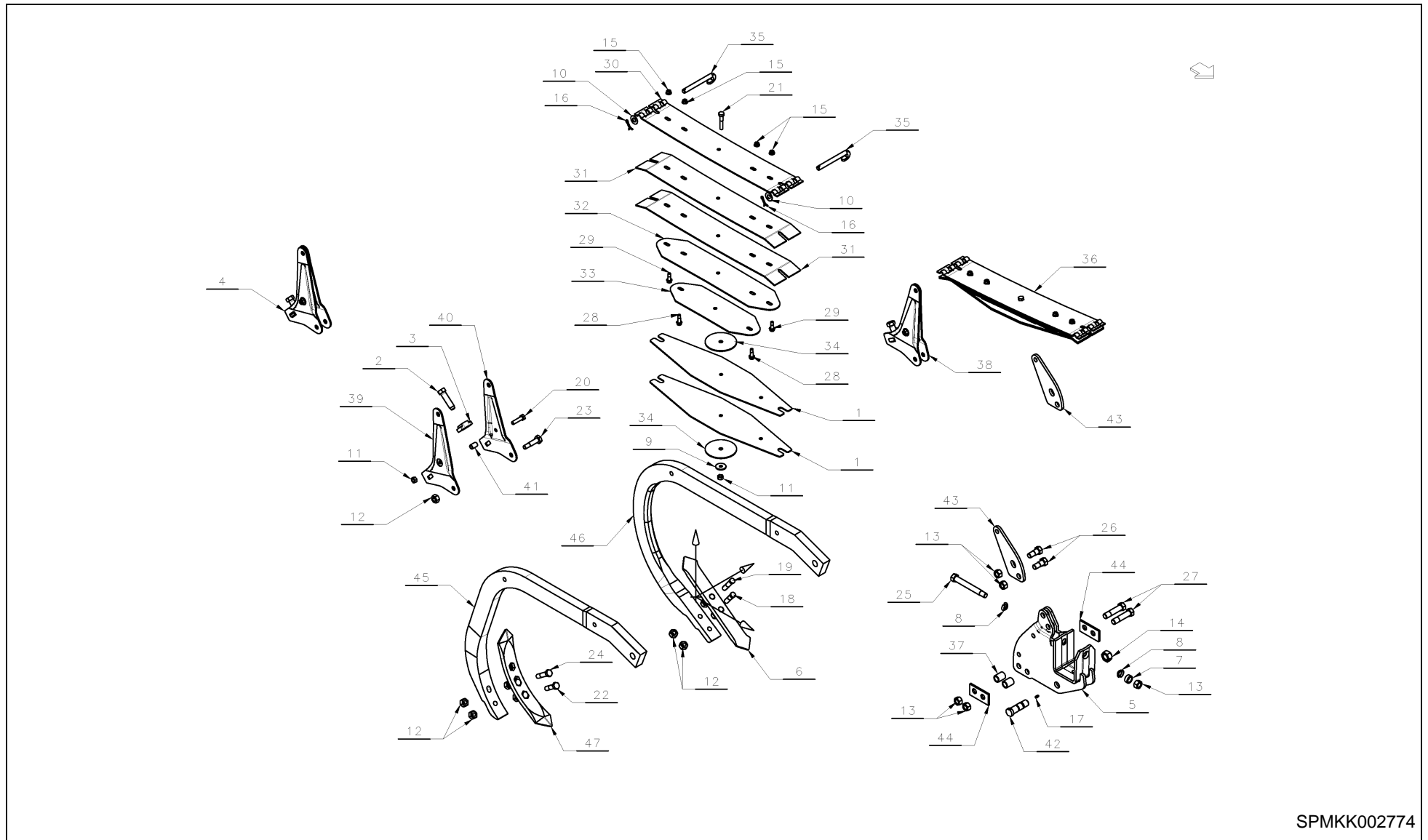


SPMKK002860

CLG II / MAIN FRAME



PosNo.	Part No.	Qty.	Description	Remark
1	A152352294		TUBE L = 1200	
2	A152352394		TUBE L=2200	
3	A152352494		TUBE L=2900	
4	A152352594		TUBE L=3800	
5	A152352694		TUBE L=4700	
6	A152352794		TUBE L=5600	
7	KK010170		BUSHING D30 X D21	
8	KK012813		CONIC WASHER EXTENDED TO D20	
9	KK015830		NUT M20	
10	KK032808		HEX BOLT M20X160 10.9 THREAD L=25	
11	KK304032		TUBE WELDED	

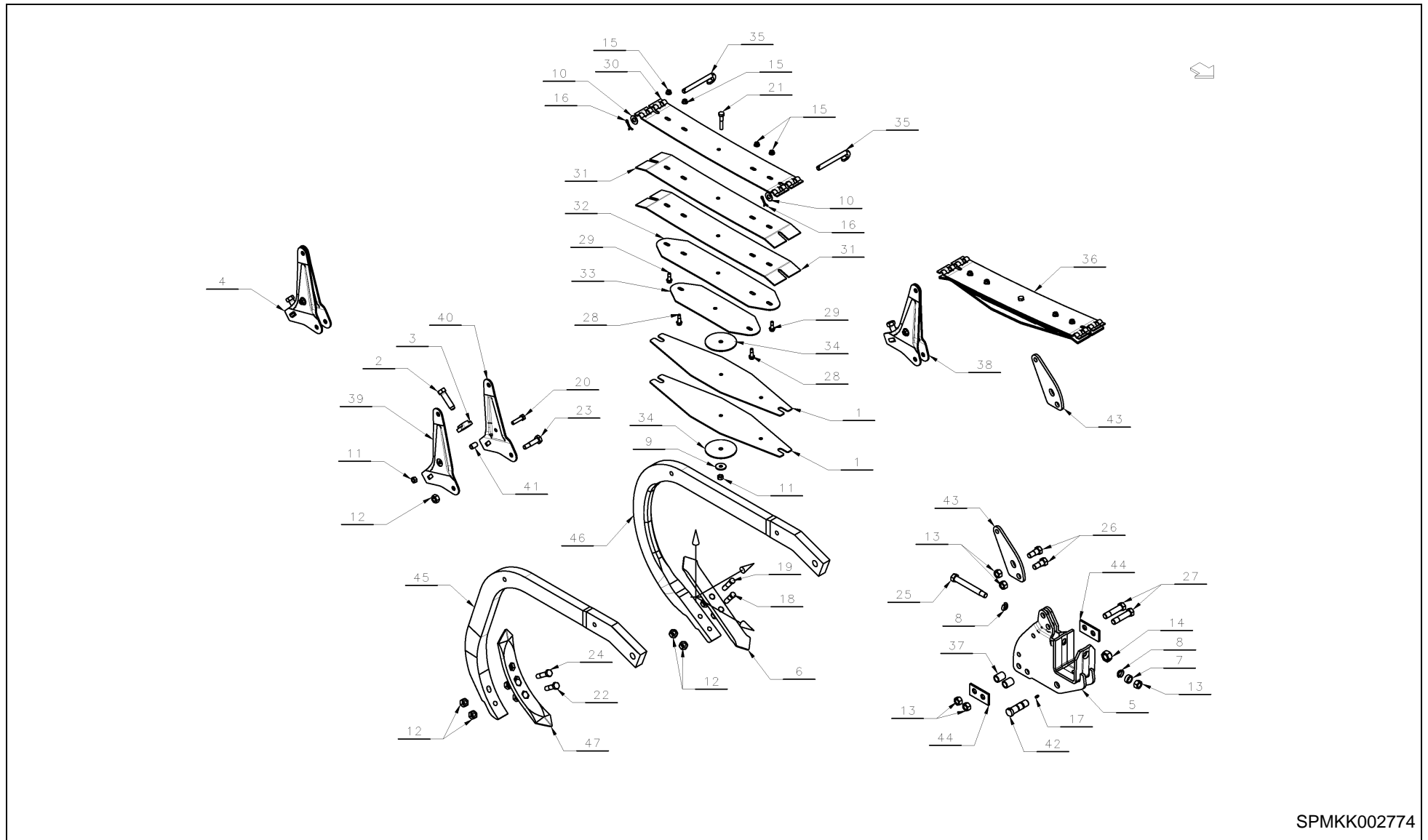


SPMKK002774

CLG II / TINE



PosNo.	Part No.	Qty.	Description	Remark
1	KK057068R		BLADE NO.5	
2	KK067042R		SCREW FOR SPRINGLOADED GOVERNO	
3	KK067052		THREADED PIECE	
4	KK077000		SPRING ARM W/ADJUST SCREW	
5	KK301629		BRACKET WELDED	
6	KK303107R		REVERSIBLE POINT WITH SCREWS	
7	KK010170		BUSHING D30 X D21	
8	KK012813		CONIC WASHER EXTENDED TO D20	
9	KK012913		WASHER D12.5-D40X3.4	
10	KK012996		WASHER D35XDX2 GALV.	
11	KK015817		NUT M12 GALV.	
12	KK015825		NUT M16	
13	KK015830		NUT M20	
14	KK016001		LOCK NUT M24 10 GALV.	
15	KK016007		FLANGE NUT M10	
16	KK029727		SPLIT PIN D5X32	
17	KK029918		GREASE NIPPLE M6	
18	KK031965		CS BOLT M16X65	
19	KK031975		CS BOLT M16X75 M	
20	KK032650		HEX BOLT M12X50	
21	KK032665		HEX BOLT M12X65 GL40	
22	KK032761		HEX BOLT M16X60 10.9	
23	KK032770		HEX BOLT M16X70 10.9	
24	KK032771		BOLT	
25	KK032808		HEX BOLT M20X160 10.9 THREAD L=25	
26	KK032845		HEX BOLT M20X45 10.9	
27	KK032885		HEX BOLT M20X85 10.9	
28	KK035020		FLANGE BOLT M10X34 8.8	
29	KK035021		BOLT M10X30.5 8.8 GALV.	
30	KK057063		MAIN SPRING BLADE	
31	KK057064		SPRING BLADE NO. 1	
32	KK057065		SPRING BLADE NO. 2	
33	KK057066		SPRING BLADE NO. 3	
34	KK057067		SPRING BLADE NO. 4	
35	KK057089		SPRING BOLT	
36	KK060703		SPRING HD CPL. WITHOUT REGULATOR	
37	KK061515		BUSHING D20.5-D28X35.2	
38	KK067000R		SPRING REGULATOR W/ ADJUSTABLE SCREW	
39	KK067063R		SPRING BRACKET RIGHT	
40	KK067064R		SPRING BRACKET LEFT	



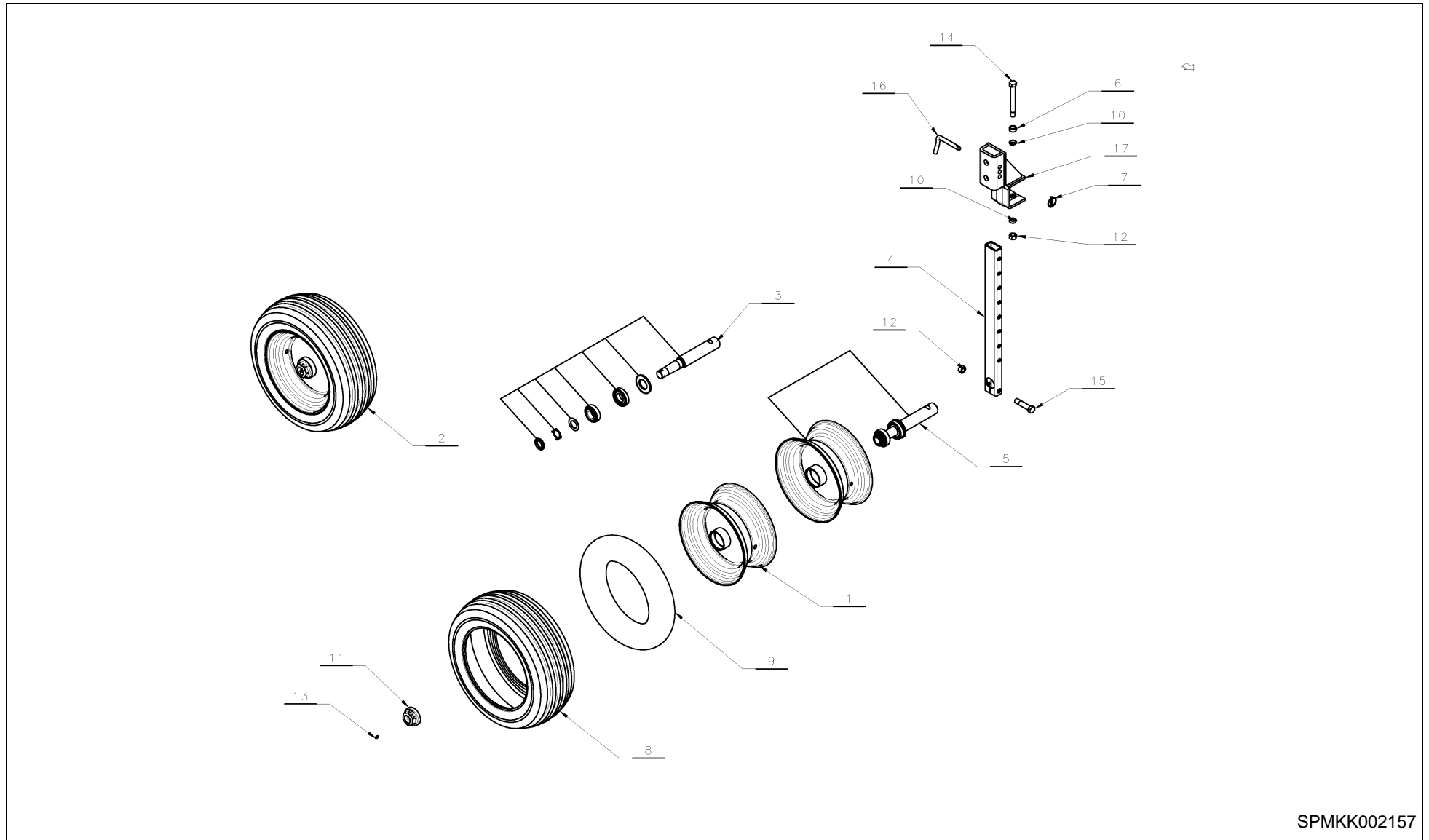
SPMKK002774

CLG II / TINE



PosNo.	Part No.	Qty.	Description	Remark
41	KK067081R		BUSHING D12.4XD17.1X27	
42	KK067085		BRG BOLT M24 W/NIPPLE	
43	KK301633		PLATE	
44	KK301634		SUPPORT PLATE	
45	KK303100		TINE	
46	KK303102R		TINE	
47	KK303110R		POINT	

CLG II / WHEEL 200 X 14,5 FOR 7, 9, 11 & 13 TINES



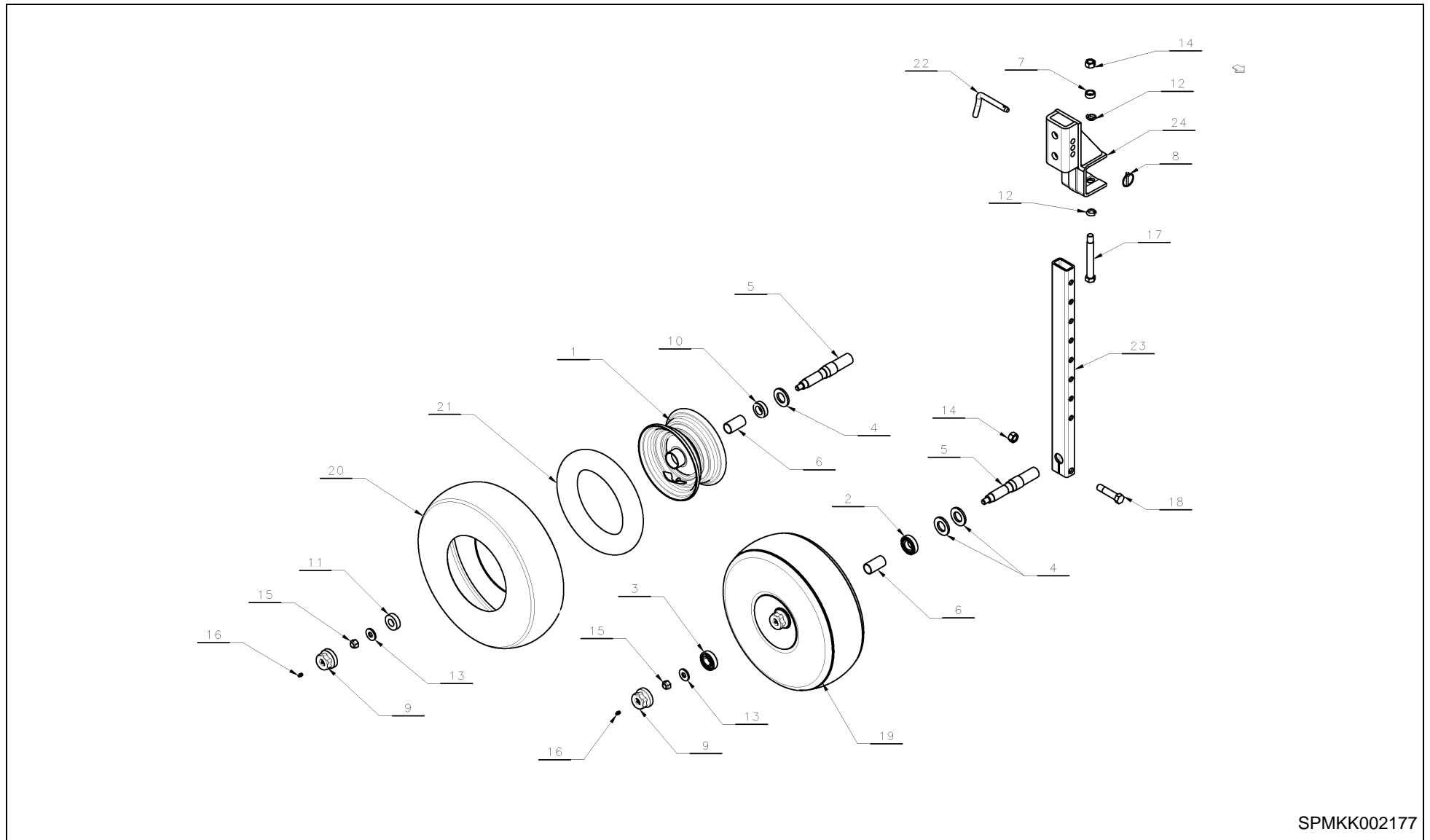
SPMKK002157

CLG II / WHEEL 200 X 14,5 FOR 7, 9, 11 & 13 TINES



PosNo.	Part No.	Qty.	Description	Remark
1	A133313698		RIM 6.75X14.5X3.0	
2	A133315830		WHEEL 200X14.5 CPL W AXLE	
3	A133341730		AXLE KIT FOR WHEEL 200X14,5	
4	A133554688		WHEELARM 9-11-13 TINES	
5	A133590530		RIM 6.75X14.5X3.0 W/AXLEKIT L=340	
6	KK010170		BUSHING D30 X D21	
7	KK010702		PIN D6 NS 555	
8	KK011303		TYRE LP 200X14.5/10-448	
9	KK011305		INNER TYRE 200-14.5 TR-15 FE	
10	KK012813		CONIC WASHER EXTENDED TO D20	
11	KK013105		HUB CAP D80 WITH NIPPLE	
12	KK015830		NUT M20	
13	KK029920		GREASE NIPPLE M8X1 STRAIGHT	
14	KK032808		HEX BOLT M20X160 10.9 THREAD L=25	
15	KK032885		HEX BOLT M20X85 10.9	
16	KK191234		BOLT WITH HANDLE D16	
17	KK304076		WHEEL HOLDER WELDED	

CLG II / WHEEL 6.00 X 9 FOR 2, 3, 5 & 7 TINES

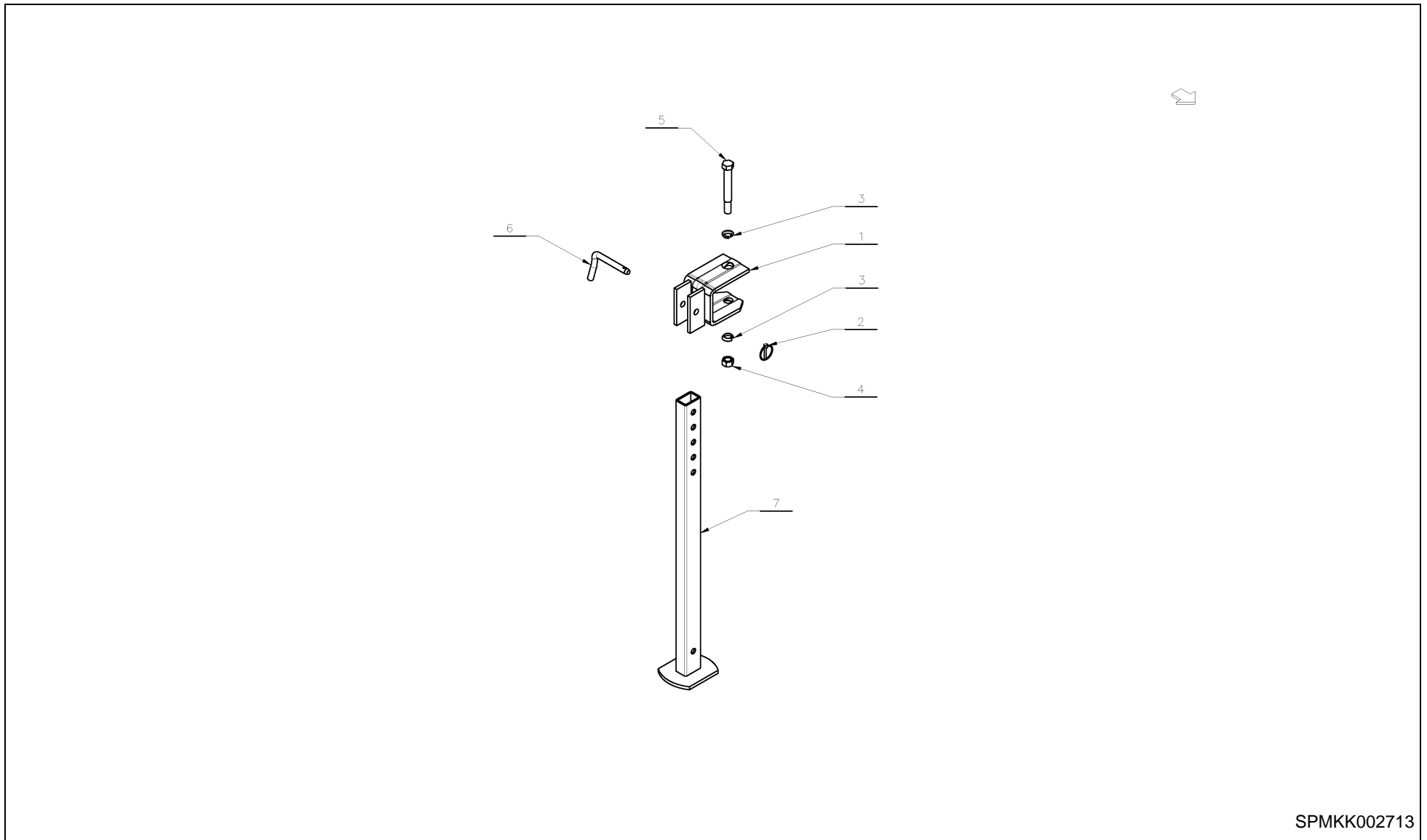


SPMKK002177

CLG II / WHEEL 6.00 X 9 FOR 2, 3, 5 & 7 TINES



PosNo.	Part No.	Qty.	Description	Remark
1	A133339998		RIM 6.00X9	
2	KG01477300		BALL BEARING 6206 C3	
3	KG01490200		BALL BEARING 6305 C3	
4	KK010806R		Z-LAMELL	
5	KK072458R		WHEEL AXLE D38 X 235	
6	KK010096		SPACING TUBE D35/31X L=64.2	
7	KK010170		BUSHING D30 X D21	
8	KK010702		PIN D6 NS 555	
9	KK011167		HUB CAP 62 MM W.NIPPLE	
10	KG01477300		BALL BEARING 6206 C3	
11	KG01490200		BALL BEARING 6305 C3	
12	KK012813		CONIC WASHER EXTENDED TO D20	
13	KK012922		WASHER D17-D40X4.58	
14	KK015830		NUT M20	
15	KK016010		NYLOC NUT M16	
16	KK029920		GREASE NIPPLE M8X1 STRAIGHT	
17	KK032808		HEX BOLT M20X160 10.9 THREAD L=25	
18	KK032885		HEX BOLT M20X85 10.9	
19	KK072455		DEPTH WHEEL 500X165 WITH AXLE	
20	KK094206		TYRE 6.00X9	
21	KK094207		TUBE 6.00X9	
22	KK191234		BOLT WITH HANDLE D16	
23	KK304053		WHEELARM 3-5-7 TINES	
24	KK304076		WHEEL HOLDER WELDED	



SPMKK002713

CLG II / MACHINE STAND



PosNo.	Part No.	Qty.	Description	Remark
1	KK304073		HOLDER FOR SUPPORT WELDED	
2	KK010702		PIN D6 NS 555	
3	KK012813		CONIC WASHER EXTENDED TO D20	
4	KK015830		NUT M20	
5	KK032816		HEX BOLT M20X150 10.9	
6	KK191234		BOLT WITH HANDLE D16	
7	KK304071		SUPPORT LEG WELDED	

CLG II / Part No Index



Part No.	Page	Pos No	Part No.	Page	Pos No	Part No.	Page	Pos No	Part No.	Page	Pos No
A133313698	7	1	KK010170	6	7	KK012813	7	10	KK029727	6	16
A133315830	7	2	KK010170	7	6	KK012813	8	12	KK029918	6	17
A133339998	8	1	KK010170	8	7	KK012813	9	3	KK029920	7	13
A133341730	7	3	KK010293	2	4	KK012851	2	10	KK029920	8	16
A133554688	7	4	KK010293	3	7	KK012851	3	13	KK031965	6	18
A133590530	7	5	KK010332	1	6	KK012913	6	9	KK031975	6	19
A152352294	5	1	KK010332	4	4	KK012922	8	13	KK032650	6	20
A152352394	5	2	KK010606	1	7	KK012968	2	11	KK032665	6	21
A152352494	5	3	KK010606	2	5	KK012968	3	14	KK032735	1	14
A152352594	5	4	KK010606	3	8	KK012968	4	9	KK032735	4	12
A152352694	5	5	KK010606	4	5	KK012996	6	10	KK032750	2	15
A152352794	5	6	KK010650	1	8	KK013105	7	11	KK032750	3	18
A152352894	3	1	KK010650	2	6	KK015817	6	11	KK032750	4	13
A152352994	3	2	KK010650	3	9	KK015825	1	11	KK032761	6	22
KG01195500	1	1	KK010650	4	6	KK015825	2	12	KK032770	6	23
KG01195500	2	8	KK010700	1	9	KK015825	3	15	KK032771	6	24
KG01195500	4	1	KK010700	2	7	KK015825	4	10	KK032808	1	15
KG01477300	8	10	KK010700	3	10	KK015825	6	12	KK032808	2	16
KG01477300	8	2	KK010700	4	7	KK015830	1	12	KK032808	3	19
KG01490200	8	11	KK010702	7	7	KK015830	2	13	KK032808	4	14
KG01490200	8	3	KK010702	8	8	KK015830	3	16	KK032808	5	10
KK010066R	1	4	KK010702	9	2	KK015830	4	11	KK032808	6	25
KK010066R	2	1	KK010806R	8	4	KK015830	5	9	KK032808	7	14
KK010066R	3	4	KK011021	3	11	KK015830	6	13	KK032808	8	17
KK010066R	4	2	KK011167	8	9	KK015830	7	12	KK032815	1	16
KK010096	8	6	KK011303	7	8	KK015830	8	14	KK032815	4	15
KK010158	2	2	KK011305	7	9	KK015830	9	4	KK032816	3	20
KK010158	3	5	KK012813	1	10	KK015841	1	13	KK032816	9	5
KK010170	1	5	KK012813	2	9	KK015841	2	14	KK032835	2	17
KK010170	2	3	KK012813	3	12	KK015841	3	17	KK032835	3	21
KK010170	3	6	KK012813	4	8	KK016001	6	14	KK032845	2	18
KK010170	4	3	KK012813	5	8	KK016007	6	15	KK032845	3	22
KK010170	5	7	KK012813	6	8	KK016010	8	15	KK032845	4	16

CLG II / Part No Index



Part No.	Page	Pos No	Part No.	Page	Pos No	Part No.	Page	Pos No
KK032845	6	26	KK072458R	8	5	KK304033	2	29
KK032850	4	17	KK077000	6	4	KK304053	8	23
KK032885	6	27	KK077558R	2	23	KK304071	9	7
KK032885	7	15	KK077558R	3	26	KK304073	9	1
KK032885	8	18	KK089599	1	18	KK304076	7	17
KK032908	2	19	KK089599	2	22	KK304076	8	24
KK032918	2	20	KK089599	3	27	KK304106	1	3
KK032918	3	23	KK089599	4	19	KK304106	4	21
KK032936	3	24	KK094206	8	20	KK304126	2	30
KK032960	1	17	KK094207	8	21	KK304126	3	32
KK032960	2	21	KK191234	7	16	KK304130	3	3
KK032960	3	25	KK191234	8	22	KK304134	1	21
KK035020	6	28	KK191234	9	6	KK304134	2	31
KK035021	6	29	KK301082	1	19	KK304134	3	33
KK057063	6	30	KK301082	2	24	KK304134	4	22
KK057064	6	31	KK301082	4	20	KK304135	2	32
KK057065	6	32	KK301629	6	5	KK304135	3	34
KK057066	6	33	KK301633	6	43	KK304135	4	23
KK057067	6	34	KK301634	6	44	KK304136	2	33
KK057068R	6	1	KK303100	6	45	KK304136	3	35
KK057089	6	35	KK303102R	6	46	KK304136	4	24
KK060703	6	36	KK303107R	6	6	KK304140	3	36
KK061515	6	37	KK303110R	6	47	KK304143	2	34
KK062002R	1	2	KK304016	2	25	KK304165	1	22
KK062002R	4	18	KK304016	3	28	KK304165	4	25
KK067000R	6	38	KK304017	2	26	KK304166	1	23
KK067042R	6	2	KK304017	3	29	KK304166	4	26
KK067052	6	3	KK304018	2	27	KK304168	1	24
KK067063R	6	39	KK304018	3	30	KK304179	4	27
KK067064R	6	40	KK304027	1	20	KK304200	4	28
KK067081R	6	41	KK304027	2	28			
KK067085	6	42	KK304027	3	31			
KK072455	8	19	KK304032	5	11			



CLG II

2751 < Mach. ID <=

Kverneland Group Operation Norway AS
Plogfabrikkvegen 1
N-4353 Klepp Stasjon
\nNorway
+47 51429000
+47 51429001
www.kvernelandgroup.com

© Kverneland Group

All rights reserved. No parts of this book may be reproduced, stored in a database or retrieval system, or published in any form or in any way, electronically, mechanically, optically, by print, photo print, microfilm (including micro and macro fiche), or any other means, including all video and CD systems, without prior written permission from the publisher.

Print date: 2019-01-21

